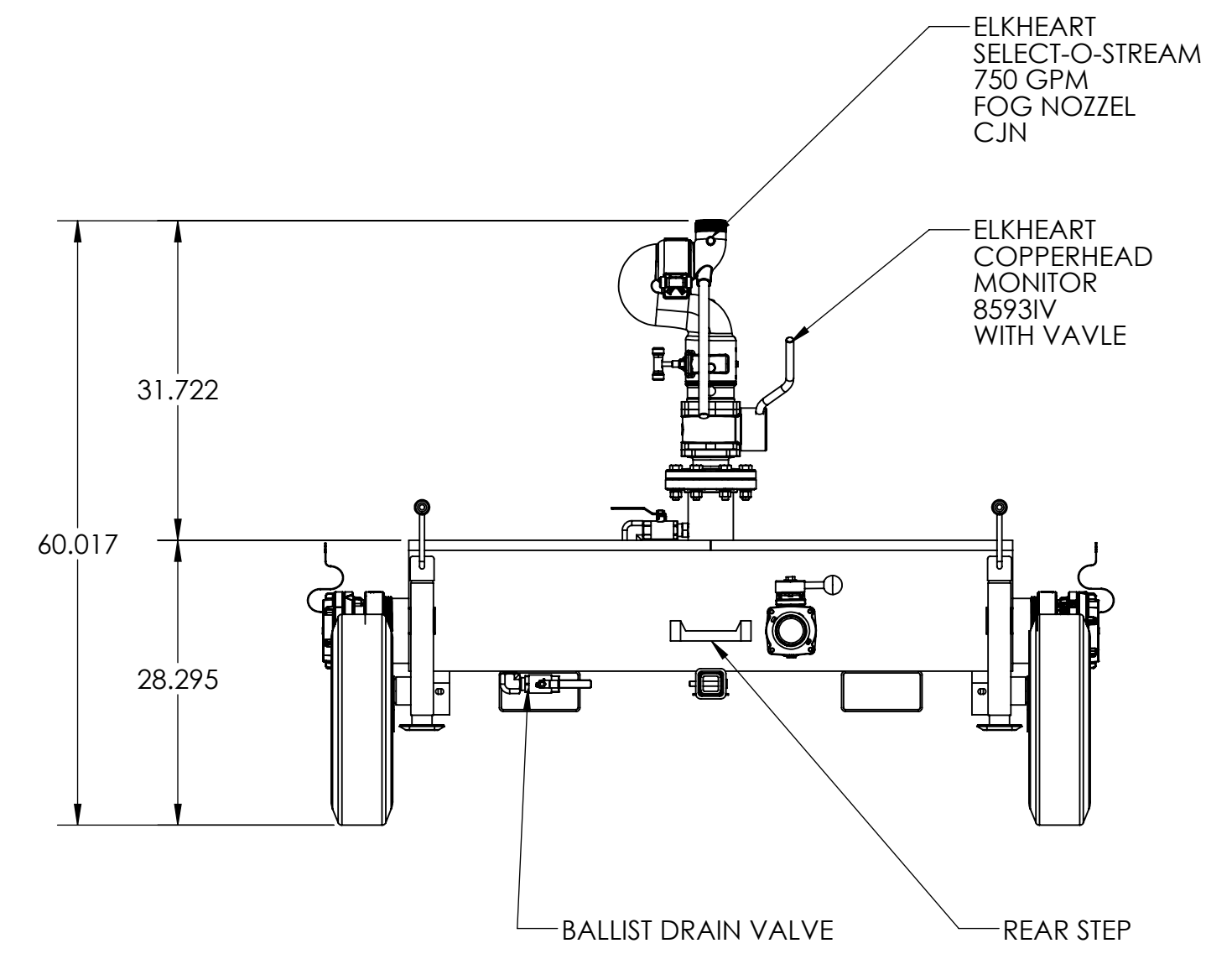
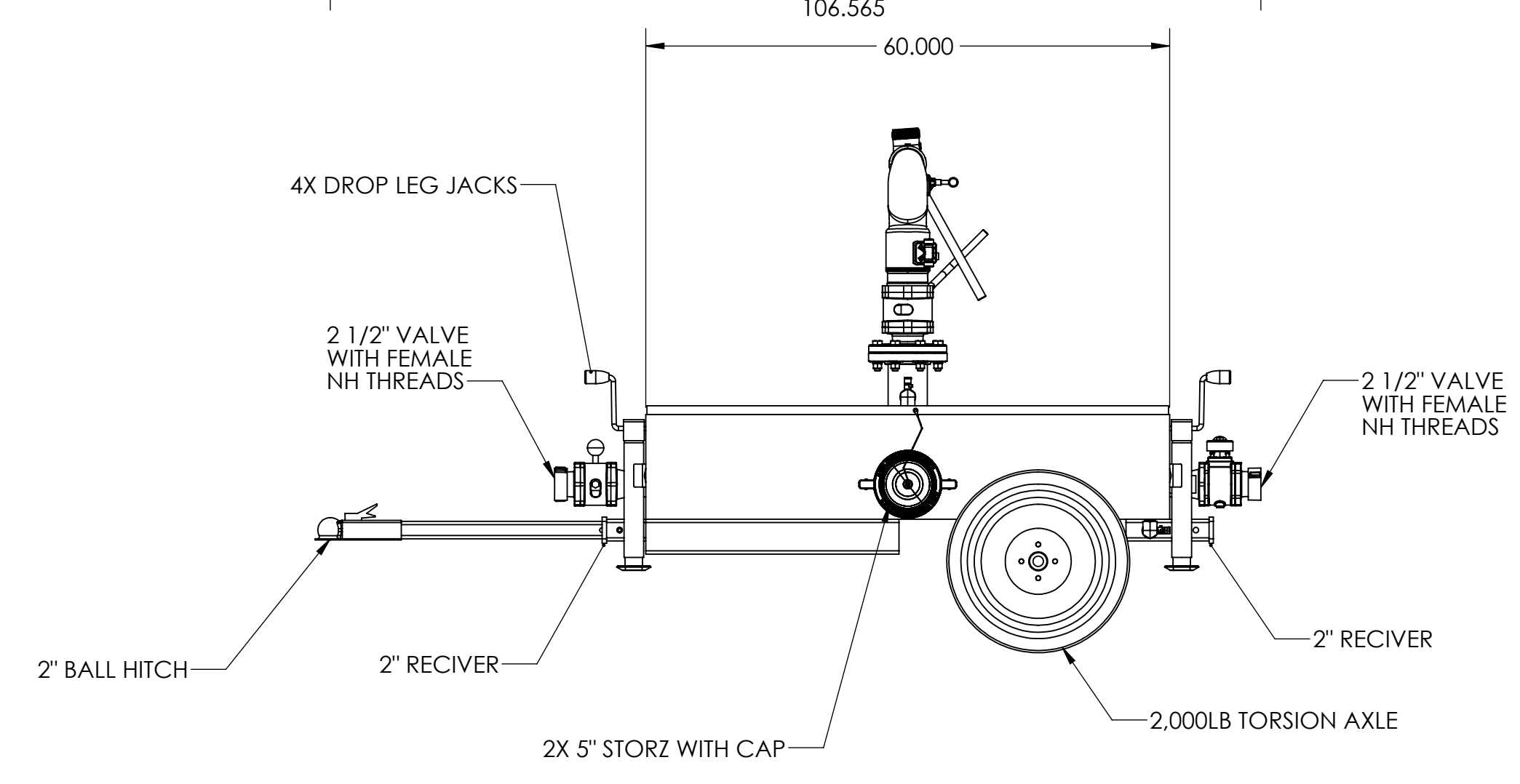
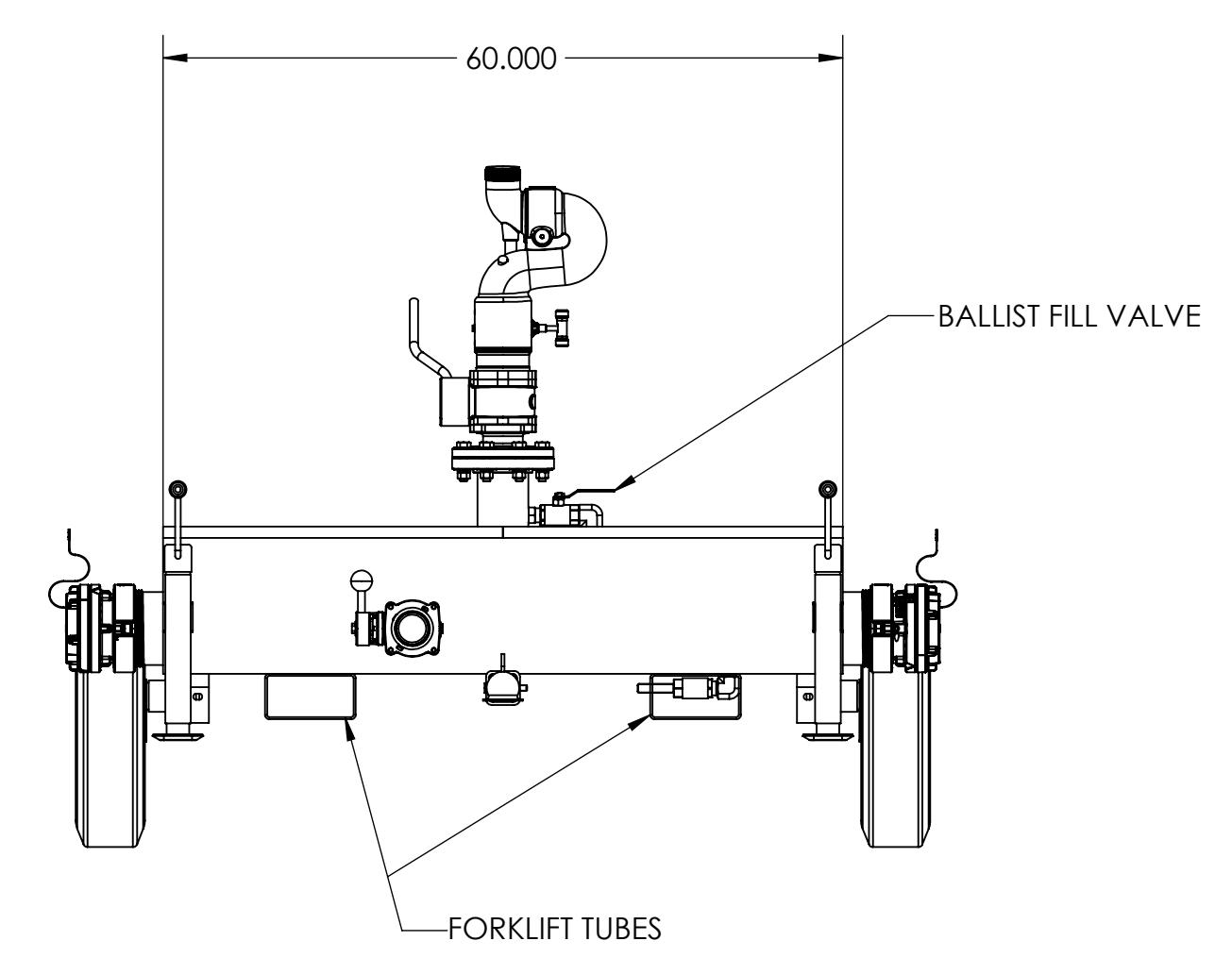
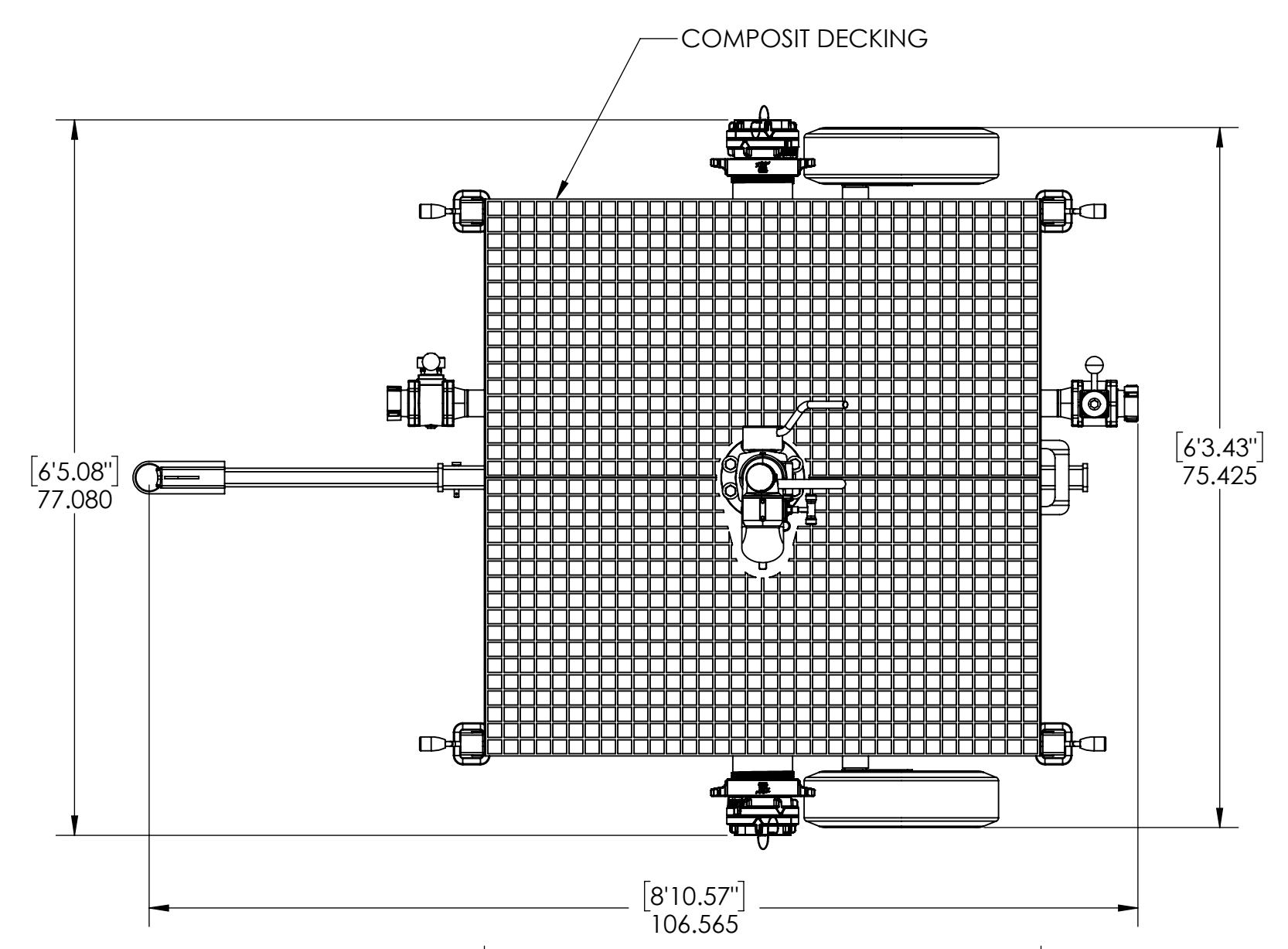
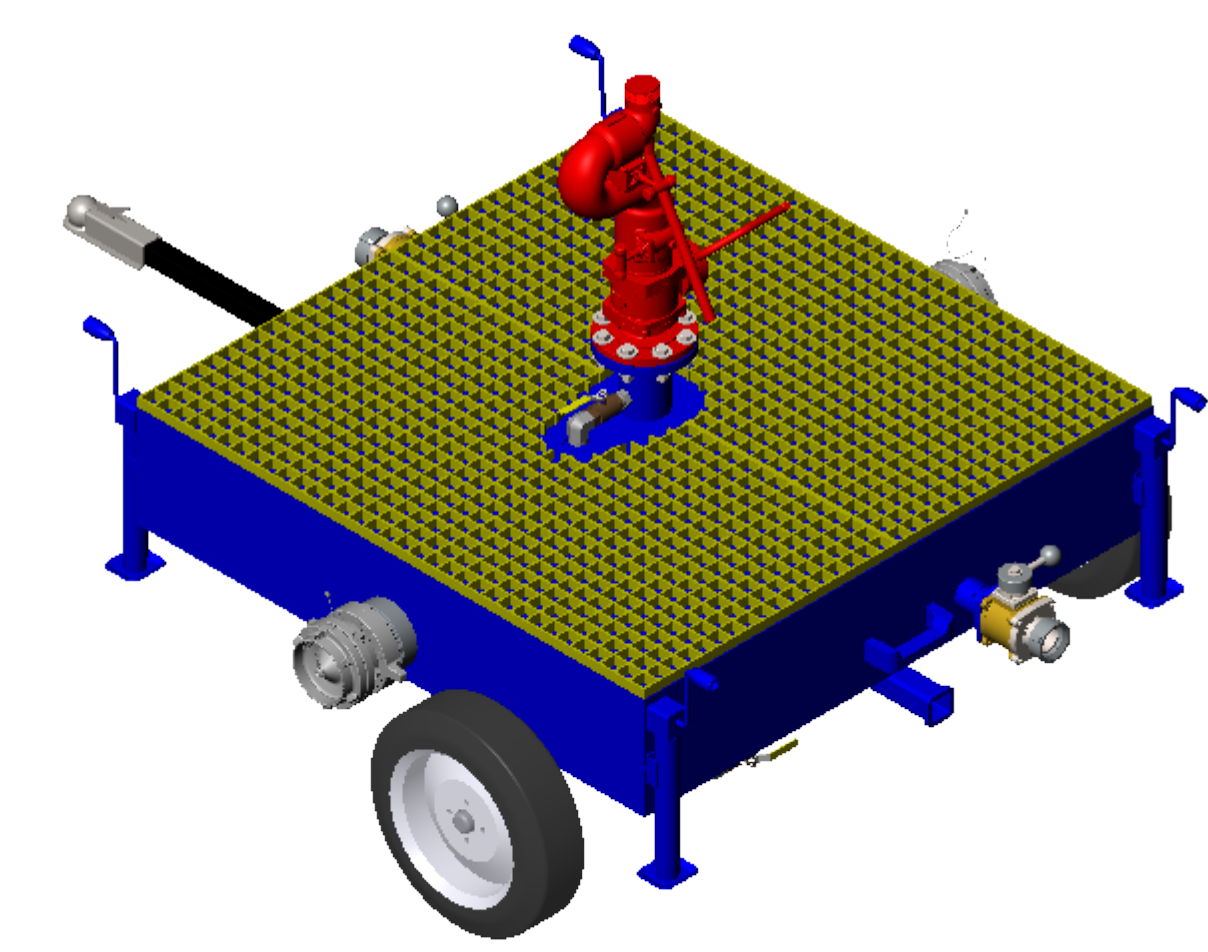
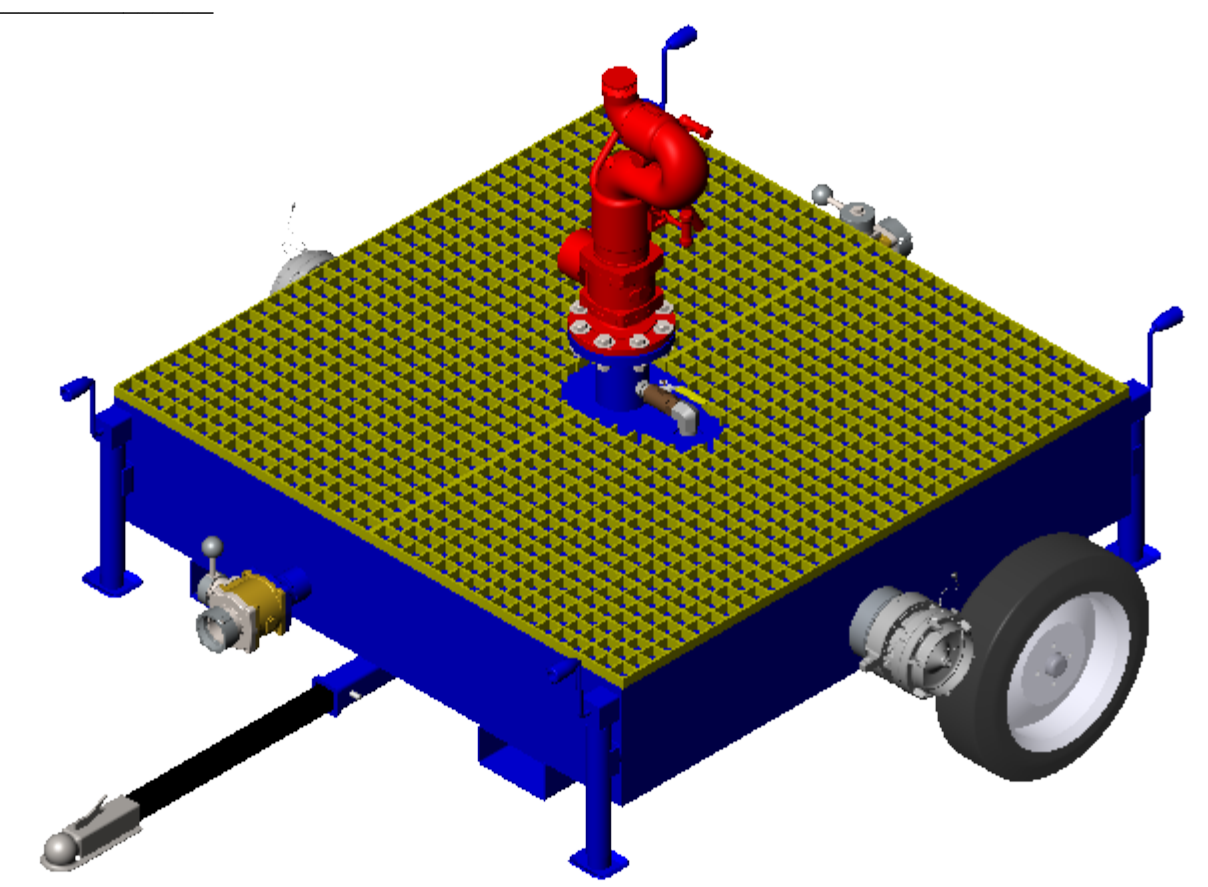


- NOTES:**
1. APPLICABLE STANDARDS/SPECIFICATIONS
 A. ASME Y14.5M-1994, DIMENSIONS AND TOLERANCES
 B. ASME Y14.38-2007, ABBREVIATIONS AND ACRONYMS
 2. DESIGN MODEL IS REPRESENTED IN CAD DIGITAL DATA FILE.
 DESIGN MODEL AVAILABLE IN OTHER 2D AND 3D DIGITAL DATA FORMATS ON REQUEST. INTERPRET PER ASME Y14.41-2003.
 3. CUSTOMER APPROVAL:- _____
 4. DATE:- _____
 5. PAINT COLOR AND NUMBER:- _____



THE INFORMATION CONTAINED HEREIN IS PROPRIETARY DATA, AND IS NOT FOR DISSEMINATION OR DISCLOSURE, IN WHOLE OR IN PART, FOR ANY PURPOSE OTHER THAN THAT FOR WHICH IT IS SUBMITTED, EXCEPT AS AUTHORIZED IN WRITING BY US FIRE PUMP.

DELIVERY MUST CONFORM EXACTLY WITH DRAWING SPECIFICATIONS AND APPROVED Q.A. SAMPLES. ABSOLUTELY NO CHANGES ARE PERMITTED WITHOUT PRIOR APPROVAL BY US FIRE PUMP. THIS INCLUDES CHANGES TO: SOFTWARE, MATERIALS, INTERNAL COMPONENTS, MANUFACTURING PROCESSES.

INCH

ADDITIONAL APPROVALS	DATE				UNLESS OTHERWISE SPECIFIED DIMENSIONS ARE IN INCHES. TOLERANCES ARE: DECIMALS: .XX ± 0.02 .XXX ± 0.010 SHEET METAL DIMENSIONS: ± 0.015 DO NOT SCALE DRAWING	PROJECT		 GENERAL ARRANGMENT - TRAILER, MONITOR, 1K									
STRESS						APPROVALS				DATE							
MATERIALS & PROCESSES						DRAWN	REN			7JAN17							
QUALITY ASSURANCE						CHECKED	REN			7JAN17							
MANUFACTURING ENGINEERING		DASH NO.	NEXT ASSY	USED ON	DESIGNER		REN	7JAN17	SIZE	CAGE CODE	DWG NO.	REV.					
TREATMENT		APPLICATION			APPROVED		REN	7JAN17	SCALE	1:16	RELEASE DATE	-	WEIGHT	963.159	LBS.	SHEET	1 of 1
		PROJECTION	THIRD ANGLE		FINISH												